



kaleidescape

## Kaleidescape Mini Player Installation Instructions

---

Kaleidescape mini players ship with a bracket for mounting the player to a vertical surface and a bracket for mounting the power supply. An optional rack-mount shelf is also available.

### Wall Mounting Instructions

Mini players can be mounted to the wall two ways.

- ▶ Permanently to a wall with bracket screwed to the player
- ▶ Separately from the bracket so the player can be easily removed

### Site Preparation

Use the following procedure to prepare the mounting site.

1. Plan the location. Consider orientation, cable lengths, and ventilation as well as local building and electrical codes.  
  
Mini players can be mounted with connectors up or down. The shape of the bracket fits the shape of the player.
2. Find a mounting spot that allows for cable length limitations. Make allowances for strain relief.

3. Determine if the power supply must be mounted with the player to keep the player within the DC cable length limitation.

Do NOT lengthen the DC cable of the power supply.

**Note:** Mounting the mini player vertically can interfere with remote control IR reception because the IR receiver is located on the front of the player just below the front panel. The **IR-IN** port on the back of the player can be used to connect the player to a remote IR receiver, an RF gateway, or a control system.



- Verify that there is adequate airflow around the player, allowing for hot air exhaust [1 in. (2.5 cm) in front and 2 in. (5 cm) in back minimum].

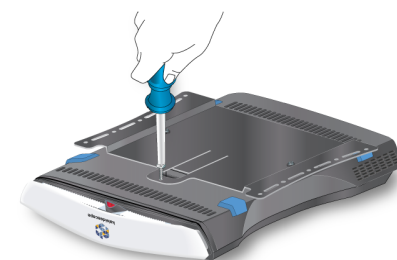
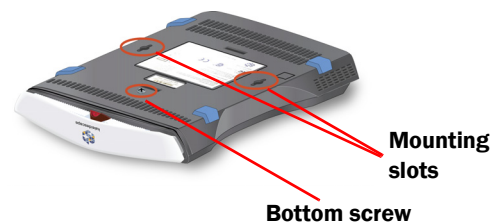
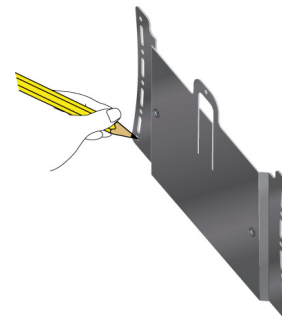
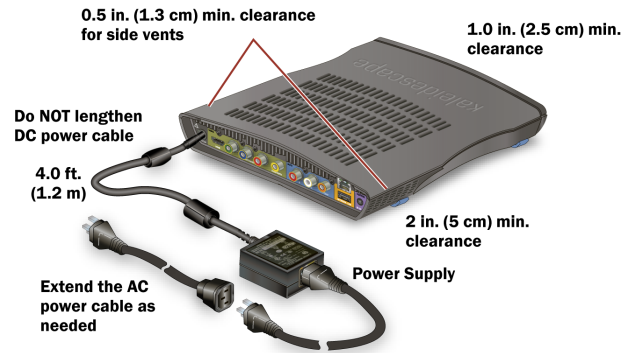
**Note:** The mini player automatically turns off if the player becomes too hot.

- Prepare mounting holes. Place the bracket or bracket template against the wall and mark the locations of the four holes.
- Drill holes for fasteners. If the surface is wood or a similar material, drill a 3/32 in. (2 mm) pilot hole at each location.
- Check that the mounting screws are the appropriate length. Do not use screw anchors for wood.
  - If mounting on drywall (hollow wall) or masonry (solid wall), drill a 3/16 in. (5 mm) hole for the screw anchors. Insert the anchors and tap with a hammer until anchors are flush with the surface.
  - If mounting the power supply with the player, repeat steps for the power supply bracket.
- The serial number of the player is not visible after the player is mounted. Attach the extra serial number label included in the packaging to an area where the serial number can be read.

## Permanent Mounting

Use the following procedure to mount a mini player permanently.

- Use a #1 Phillips screwdriver to remove the screw located on the bottom of the player.
- Align mounting slots on the bottom of the player to bracket pegs.
- Slide the player down until it clicks into place.
- Fasten the bracket to the player with the 3/4 in. retaining screw provided. Do NOT use the screw that was removed.



5. Place the player and bracket over mounting holes.
6. Use a #2 Phillips screwdriver to fasten bracket with the mounting screws until the player and bracket are secure.

If mounting to drywall (hollow wall), tighten each screw with additional turns to expand the anchor inside the wall.

Drywall Thickness	Number of Turns Required
3/8 inch	7 to 9 turns
1/2 inch	5 to 7 turns
5/8 inch	3 to 4 turns
3/4 inch	1 to 2 turns

## Removable Player Mounting

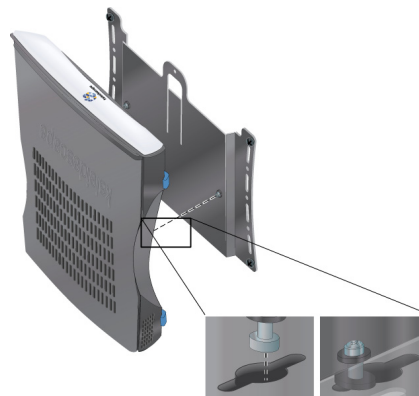
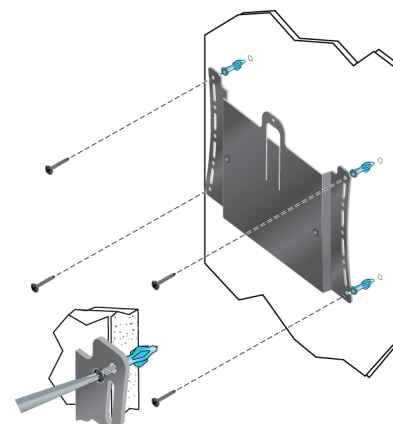
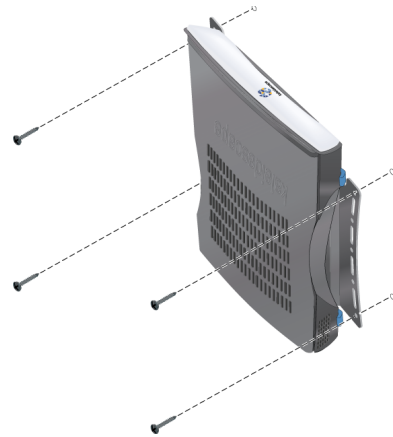
Use the following procedure to mount the mini player so that the player can be easily removed and replaced.

1. Place the bracket over mounting holes.
2. Use a #2 Phillips screwdriver to fasten with mounting screws until the bracket is secure.
3. If mounting to drywall (hollow wall), tighten each screw additional turns.
4. Align the player mounting slots to the bracket pegs and slide the player down until it clicks into place.

## Power Supply Mounting

Use the following procedure to mount the mini player power supply.

1. Follow the steps in Site Preparation on page 1 using the power supply bracket as a template.
2. Place the power supply inside the bracket with the label facing away from the wall.

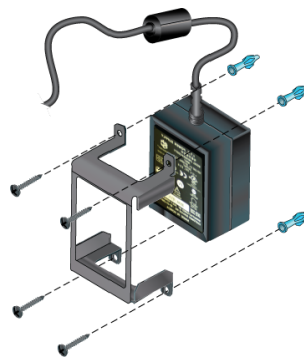


### **WARNING**

**To avoid electrical hazard and protect the player, use the power supply provided by Kaleidescape.**

- Place the bracket and power supply over the holes and mount using a #2 Phillips screwdriver to fasten with mounting screws until the bracket is secure.

If mounting to drywall (hollow wall), tighten each screw additional turns.

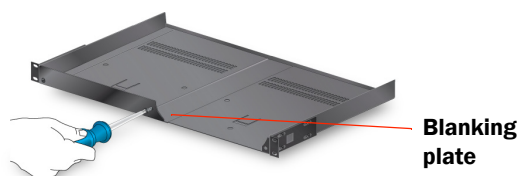


## Rack Mounting Instructions

An optional rack-mount shelf (KSHELF-300) is used to mount Kaleidescape mini players in standard 19-inch racks, one or two players per shelf.

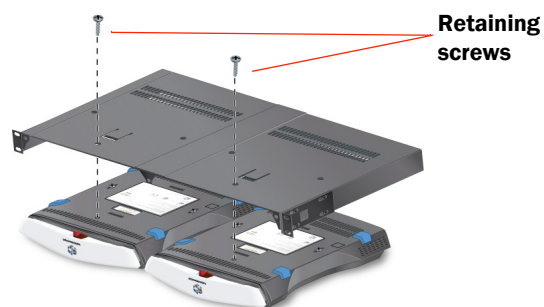
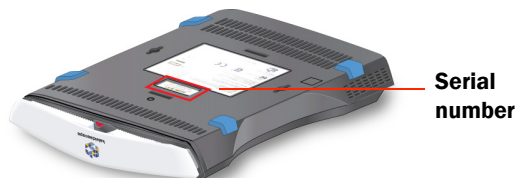
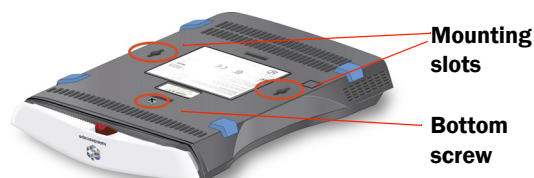
**Note:** Mount players on the shelf BEFORE connecting cables.

**Note:** The shelf must be outside the rack to install players. If adding a second player to a shelf, the shelf must be removed from the rack first.



## Install Players on Shelf

- If installing two players, remove the two screws used to secure the blanking plate.
- Remove the screw from the bottom of the player.
- The player serial number is not visible after the player is mounted. Attach the extra serial number label included in the packaging to an area where the number can be read.
- Align mounting slots with the shelf pegs, and slide the player towards the back of the shelf until the player clicks into place. Repeat if installing a second player.
- Turn shelf over and attach the retaining screw to secure the player. Do NOT use screw that was removed. (The player can also be installed without the retaining screw.)



## Mount Shelf on Rack

The rack-mount shelf is designed to fit standard 19-inch racks in one rack unit.

1. Determine the position in the rack to mount the shelf.
2. If forward or backward adjustment is required, loosen the four screws on each side bracket. Adjust the rack ears as required so that the rack ears are equally aligned from the front of the shelf.
3. Fasten the shelf to the rack using the lower holes on the rack ears.
4. Install screws into the upper two holes to secure the shelf.

